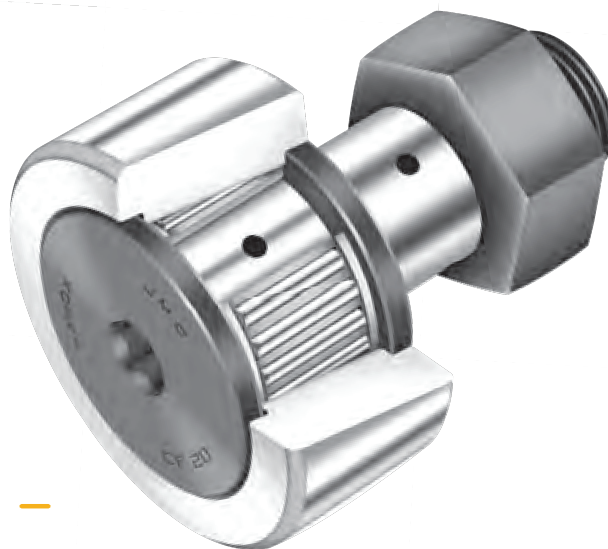
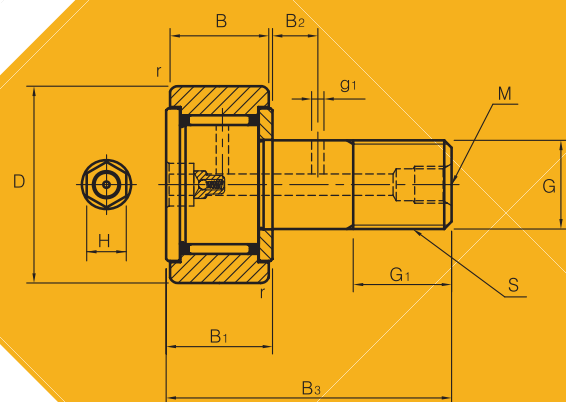


# CF

غلٹک شیار - نوع میخی



بلبرینگ عالی



| (Stud diameter)<br>G<br>mm | (Bearing No.)            |                      |                          |                      | (Mass)<br>gr. | (Dimensions) mm |    |                  |
|----------------------------|--------------------------|----------------------|--------------------------|----------------------|---------------|-----------------|----|------------------|
|                            | (Unsealed)               |                      | (Sealed)                 |                      |               | H               | D  | (Thread sizes) S |
|                            | (Cylindrical outer ring) | (Crowned outer ring) | (Cylindrical outer ring) | (Crowned outer ring) |               |                 |    |                  |
|                            | CF..                     | CF..R                | CF..UU                   | CF..UUR              |               |                 |    |                  |
| 3                          | CF 3                     | CF 3R                | CF 3UU                   | CF 3UUR              | 4.2           | 2               | 10 | M 3×0.5          |
| 4                          | CF 4                     | CF 4R                | CF 4UU                   | CF 4UUR              | 7.2           | 2.5             | 12 | M 4×0.7          |
| 5                          | CF 5                     | CF 5R                | CF 5UU                   | CF 5UUR              | 10.5          | 3               | 13 | M 5×0.8          |
| 6                          | CF 6                     | CF 6R                | CF 6UU                   | CF 6UUR              | 18.5          | 3               | 16 | M 6×1.0          |
| 8                          | CF 8                     | CF 8R                | CF 8UU                   | CF 8UUR              | 28.5          | 4               | 19 | M 8×1.25         |
| 10                         | CFA 10                   | CFA 10R              | CFA 10UU                 | CFA 10UUR            | 45            | 4               | 22 | M10×1.0          |
|                            | CFA 10-1                 | CFA 10-1R            | CFA 10-1UU               | CFA 10-1UUR          | 60            |                 | 26 |                  |
| 10                         | CF 10                    | CF 10R               | CF 10UU                  | CF 10UUR             | 45            | 4               | 22 | M10×1.25         |
|                            | CF 10-1                  | CF 10-1R             | CF 10-1UU                | CF 10-1UUR           | 60            |                 | 26 |                  |
| 12                         | CF 12                    | CF 12R               | CF 12UU                  | CF 12UUR             | 95            | 6               | 30 | M12×1.5          |
|                            | CF 12-1                  | CF 12-1R             | CF 12-1UU                | CF 12-1UUR           | 105           |                 | 32 |                  |
| 16                         | CF 16                    | CF 16R               | CF 16UU                  | CF 16UUR             | 170           | 6               | 35 | M16×1.5          |
| 18                         | CF 18                    | CF 18R               | CF 18UU                  | CF 18UUR             | 250           | 10              | 40 | M18×1.5          |
| 20                         | CF 20                    | CF 20R               | CF 20UU                  | CF 20UUR             | 460           | 10              | 52 | M20×1.5          |
|                            | CF 20-1                  | CF 20-1R             | CF 20-1UU                | CF 20-1UUR           | 385           |                 | 47 |                  |
| 24                         | CF 24                    | CF 24R               | CF 24UU                  | CF 24UUR             | 815           | 12              | 62 | M24×1.5          |
|                            | CF 24-1                  | CF 24-1R             | CF 24-1UU                | CF 24-1UUR           | 1,140         |                 | 72 |                  |
| 30                         | CF 30                    | CF 30R               | CF 30UU                  | CF 30UUR             | 1,870         | 12              | 80 | M30×1.5          |
|                            | CF 30-1                  | CF 30-1R             | CF 30-1UU                | CF 30-1UUR           | 2,030         |                 | 85 |                  |
|                            | CF 30-2                  | CF 30-2R             | CF 30-2UU                | CF 30-2UUR           | 2,220         |                 | 90 |                  |

| (Dimensions) mm |      |     |        |    |     |    |     | f<br>(Minimum Clamping<br>Diameter)<br>mm | (Basic dynamic<br>load ratings)<br>C<br>Kgf | (Basic static<br>load ratings)<br>Co<br>Kgf | (Limiting speed)<br>rpm |
|-----------------|------|-----|--------|----|-----|----|-----|---|---|---|-------------------------|
| B               | B1   | B3  | M      | g1 | G1  | B2 | r   |   |   |   |                         |
| 7               | 8    | 17  | -      | -  | 5   | -  | 0.3 | 6.8                                       | 140   | 90  | 47,000                  |
| 8               | 9    | 20  | -      | -  | 6   | -  | 0.5 | 8.6                                       | 190   | 140   | 37,000                  |
| 9               | 10   | 23  | -      | -  | 7.5 | -  | 0.5 | 9.7                                       | 230   | 200   | 29,000                  |
| 11              | 12   | 28  | -      | -  | 9   | -  | 0.5 | 11  | 330   | 330   | 25,000                  |
| 11              | 12   | 32  | -      | -  | 11  | -  | 0.5 | 13  | 390   | 430   | 20,000                  |
| 12              | 13   | 36  | -      | -  | 13  | -  | 1   | 15  | 450   | 630   | 17,000                  |
| 12              | 13   | 36  | -      | -  | 13  | -  | 1   | 15  | 450   | 630   | 17,000                  |
| 14              | 15   | 40  | M6×1.0 | 3  | 14  | 6  | 1.5 | 20  | 730   | 900   | 14,000                  |
| 18              | 19.5 | 52  | M6×1.0 | 3  | 18  | 8  | 1.5 | 24  | 1,110                                       | 1,680                                       | 10,000                  |
| 20              | 21.5 | 58  | M6×1.0 | 3  | 20  | 10 | 1.5 | 26  | 1,350                                       | 2,310                                       | 8,500                   |
| 24              | 25.5 | 66  | M6×1.0 | 4  | 22  | 12 | 1.5 | 36  | 1,900                                       | 3,180                                       | 7,000                   |
| 29              | 30.5 | 80  | M6×1.0 | 4  | 25  | 12 | 1.5 | 40  | 2,800                                       | 4,330                                       | 6,500                   |
| 35              | 37   | 100 | M6×1.0 | 4  | 32  | 15 | 2   | 46  | 4,170                                       | 7,810                                       | 5,000                   |

