

FCB

بلبرینگ قفلی



بلبرینگ علی



FCB

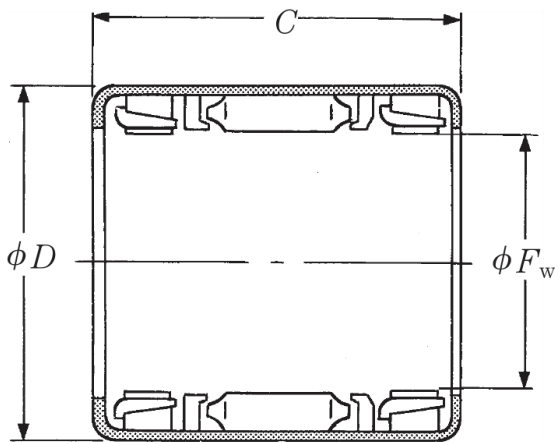
بلبرینگ قفلی (یک طرف گرد، یک استاپ)

Roller Clutch Numbers Metric Design	Boundary Dimensions (mm, inch)			Torque Capacities (N·m) {kgf·m}		Basic Dynamic Load Ratings (N) {kgf}		Limiting Loads (N) {kgf}		Mass (g)	Minimum Outside Diameters of Housing (mm)
	F_w	D	$C_{-0.25}$			C_r	P_{max}			approx	
FCBN-4K ⁽¹⁾	4	10	9	0.19	0.019	1 190	121	540	55	2.7	16
FCBN-6K ⁽¹⁾	6	12	10	0.56	0.057	1 630	166	735	75	3.8	18
FCB-8	8	14	20	4.02	0.410	2 430	248	1 200	122	11	20
FCB-10	10	16	20	5.30	0.540	2 820	288	1 450	148	13	25
FCB-12	12	18	26	13.24	1.350	3 800	390	2 240	228	18	27
FCB-16	16	22	26	20.59	2.100	4 100	420	2 670	272	24	31
FCB-20	20	26	26	30.89	3.150	5 100	520	3 550	360	28	38
FCB-25	25	32	30	68.65	7.000	6 850	700	4 700	480	48	46
FCB-30	30	37	30	95.12	9.700	7 000	715	5 250	535	54	51

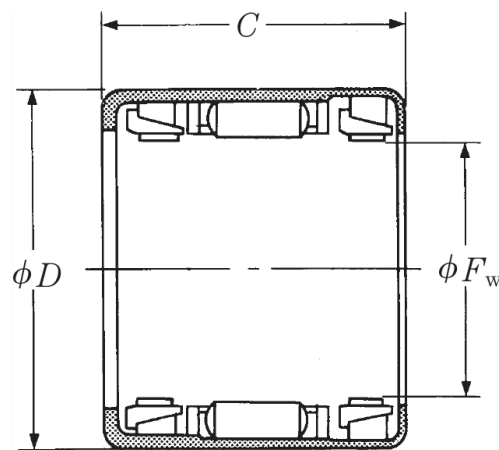
Notes ⁽¹⁾ The suffix K indicates low-torque products.

⁽²⁾ Even if the suffix FS is not marked on the product, it can be distinguished from others because its cage is always red.

Remarks For stock availability, please contact NSK.
Please consult NSK when making a selection.



FCB



RCB