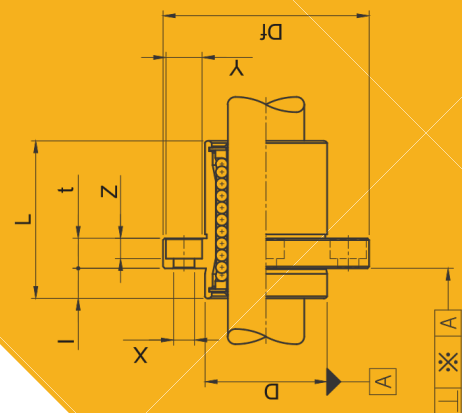


# LMFP-UU

لینر بال پوشینگ های استاندارد



بلبرینگ علی



[www.1abc.ir](http://www.1abc.ir)

۰۲۱-۳۳۹۷۱۸۴۵



## LMFP-UU

## لینیر بال بوشینگ های استاندارد (با فلنج گرد - لبه دار)

| Nominal shaft dia. mm | Pilot round flange type LMFP...UU | Weight (gf) | Eccentricity $\mu\text{m}$ | Squareness $\mu\text{m}$ | Basic load rating |             |
|-----------------------|-----------------------------------|-------------|----------------------------|--------------------------|-------------------|-------------|
|                       |                                   |             |                            |                          | Dynamic C N       | Static Co N |
| 6                     | LMFP6UU                           | 24          | 12                         | 12                       | 206               | 265         |
| 8                     | LMFP8UU                           | 37          |                            |                          | 274               | 392         |
| 10                    | LMFP10UU                          | 72          |                            |                          | 372               | 549         |
| 12                    | LMFP12UU                          | 76          |                            |                          | 510               | 784         |
| 13                    | LMFP13UU                          | 88          |                            |                          | 510               | 784         |
| 16                    | LMFP16UU                          | 120         |                            |                          | 774               | 1,180       |
| 20                    | LMFP20UU                          | 180         | 15                         | 15                       | 882               | 1,370       |
| 25                    | LMFP25UU                          | 340         |                            |                          | 980               | 1,570       |
| 30                    | LMFP30UU                          | 470         |                            |                          | 1,570             | 2,740       |
| 35                    | LMFP35UU                          | 650         | 20                         | 20                       | 1,670             | 3,140       |
| 40                    | LMFP40UU                          | 1060        |                            |                          | 2,160             | 4,020       |
| 50                    | LMFP50UU                          | 2200        |                            |                          | 3,820             | 7,940       |
| 60                    | LMFP60UU                          | 3000        |                            |                          | 4,700             | 10,000      |

### Major dimensions and tolerance (T)

| mm | dr                      | mm | D                       | mm  | L                       | Flange |       |      |      |       |      |      |      |
|----|-------------------------|----|-------------------------|-----|-------------------------|--------|-------|------|------|-------|------|------|------|
|    | Tolerance $\mu\text{m}$ |    | Tolerance $\mu\text{m}$ |     | Tolerance $\mu\text{m}$ | I mm   | Df mm | K mm | t mm | Dp mm | X mm | Y mm | Z mm |
| 6  | 0 -9                    | 12 | 0 -13                   | 19  | $\pm 300$               | 5      | 28    | 22   | 5    | 20    | 3.5  | 6    | 3.1  |
| 8  |                         | 15 |                         | 24  |                         | 5      | 32    | 25   | 5    | 24    | 3.5  | 6    | 3.1  |
| 10 |                         | 19 |                         | 29  |                         | 6      | 40    | 30   | 6    | 29    | 4.5  | 7.5  | 4.1  |
| 12 |                         | 21 | 0 -16                   | 30  | 0 -200                  | 6      | 42    | 32   | 6    | 32    | 4.5  | 7.5  | 4.1  |
| 13 |                         | 23 |                         | 32  |                         | 6      | 43    | 34   | 6    | 33    | 4.5  | 7.5  | 4.1  |
| 16 |                         | 28 |                         | 37  |                         | 6      | 48    | 37   | 6    | 38    | 4.5  | 7.5  | 4.1  |
| 20 | 0 -10                   | 32 | 0 -19                   | 42  | 0 -300                  | 8      | 54    | 42   | 8    | 43    | 5.5  | 9    | 5.1  |
| 25 |                         | 40 |                         | 59  |                         | 8      | 62    | 50   | 8    | 51    | 5.5  | 9    | 5.1  |
| 30 |                         | 45 |                         | 64  |                         | 10     | 74    | 58   | 10   | 60    | 6.6  | 11   | 6.1  |
| 35 | 0 -12                   | 52 | 0 -22                   | 70  | 0 -300                  | 10     | 82    | 64   | 10   | 67    | 6.6  | 11   | 6.1  |
| 40 |                         | 60 |                         | 80  |                         | 13     | 96    | 75   | 13   | 78    | 9    | 14   | 8.1  |
| 50 |                         | 80 |                         | 100 |                         | 13     | 116   | 92   | 13   | 98    | 9    | 14   | 8.1  |
| 60 | 0 -15                   | 90 | 0 -25                   | 110 |                         | 18     | 134   | 106  | 18   | 112   | 11   | 17   | 11.1 |