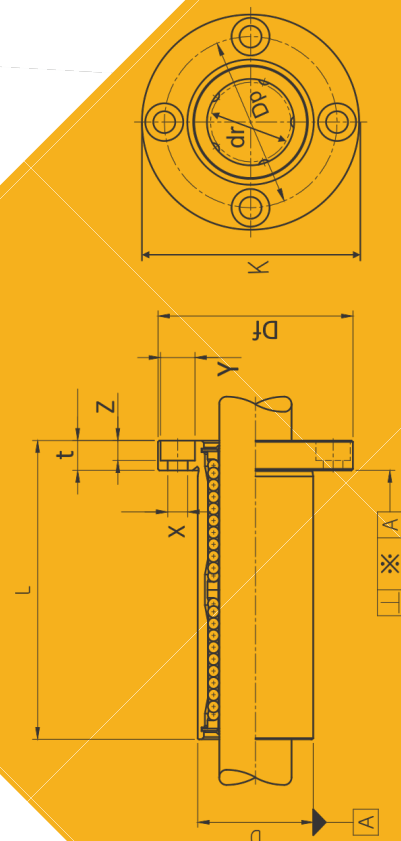


SERIES LMF...L

بال پوشینگ



بلبرینگ عالی



www.1abc.ir

۰۲۱-۳۳۹۷۱۸۴۵



SERIES LMF...L

بال بوشینگ

Nominal shaft dia. mm	Round flang long type LMF...LUU	Weight (gf)	Eccentricity μm	Squareness μm	Basic load rating	
					Dynamic C N	Static Co N
6	LMF 6 LUU	31	15	15	323	529
8	LMF 8 LUU	51			431	784
10	LMF 10 LUU	98			588	1,100
12	LMF 12 LUU	110			813	1,570
13	LMF 13 LUU	130			813	1,570
16	LMF 16 LUU	190			1,230	2,350
20	LMF 20 LUU	260	20	20	1,400	2,740
25	LMF 25 LUU	540			1,560	3,140
30	LMF 30 LUU	680			2,490	5,490
35	LMF 35 LUU	1020	25	25	2,650	6,270
40	LMF 40 LUU	1570			3,430	8,040
50	LMF 50 LUU	3600			6,080	15,900
60	LMF 60 LUU	4500			7,550	20,000

Major dimensions and tolerance (T)

mm	dr	mm	D	mm	L	Flange							
	Tolerance μm		T μm		T μm	Df mm	K mm	t mm	Dp mm	X mm	Y mm	Z mm	
6	0-10	12	0-13	35	± 300	28	22	5	20	3.5	6	3.1	
8		15		45		32	25	5	24	3.5	6	3.1	
10		19	0-16	55		0-300	40	30	6	29	4.5	7.5	4.1
12		21		57	42		32	6	32	4.5	7.5	4.1	
13		23		61	43		34	6	33	4.5	7.5	4.1	
16		28		70	48		37	6	38	4.5	7.5	4.1	
20	0-12	32	0-19	80	0-400		54	42	8	43	5.5	9	5.1
25		40		112			62	50	8	51	5.5	9	5.1
30	45	123	74	58		10	60	6.6	11	6.1			
35	0-15	52	0-22	135		82	64	10	67	6.6	11	6.1	
40		60		151		96	75	13	78	9	14	8.1	
50		80		192		116	92	13	98	9	14	8.1	
60	0-20	90		0-25		209	134	106	18	112	11	17	11.1