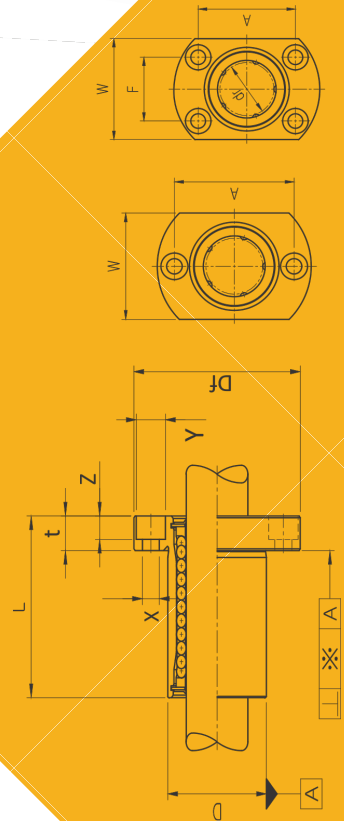


SERIES LMH

بال پوشینگ



بلبرینگ عالی



www.1abc.ir

۰۲۱-۳۳۹۷۱۸۴۵



SERIES LMH

بال بوشینگ

Nominal shaft dia. mm	Oval flange type LMH...UU	Weight (gf)	Eccentricity μm	Squareness μm	Basic load rating	
					Dynamic C N	Static Co N
6	LMH 6 UU	21	12	12	206	265
8	LMH 8 UU	33			274	392
10	LMH 10 UU	64			372	549
12	LMH 12 UU	68			510	784
13	LMH 13 UU	81			510	784
16	LMH 16 UU	112			774	1,180
20	LMH 20 UU	167	15	15	882	1,370
25	LMH 25 UU	325			980	1,570
30	LMH 30 UU	388			1,570	2,740

Major dimensions and tolerance (T)

mm	dr	mm	D	mm	L	Flange							
	Tolerance μm		Tolerance μm		Tolerance μm	Df mm	W mm	t mm	A mm	F mm	X mm	Y mm	Z mm
6	0.9	12	0-11	19	± 300	28	18	5	20	-	3.5	6	3.1
8		15		24		32	21	5	24	-	3.5	6	3.1
10		19	29	40		25	6	29	-	4.5	7.5	4.1	
12		21	0-13	30	0-200	42	27	6	32	-	4.5	7.5	4.1
13		23		32		43	29	6	33	-	4.5	7.5	4.1
16		28		37		48	34	6	31	22	4.5	7.5	4.1
20	32	42		54		38	8	36	24	5.5	9	5.1	
25	0.10	40	0-16	59	0-300	62	46	8	40	32	5.5	9	5.1
30		45		64		74	51	10	49	35	6.6	11	6.1