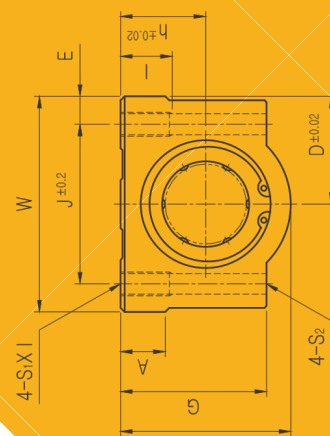
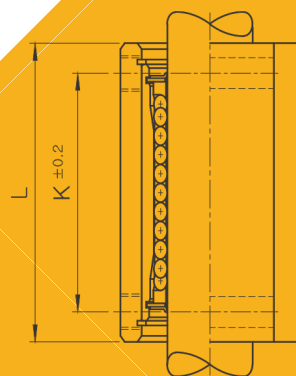


# SERIES SCE...LUU

بال پوشینگ

بلبرینگ عالی



www.1abc.ir

۰۲۱-۳۳۹۷۱۸۴۵



## SERIES SCE...LUU

## بال بوشینگ

Tandem type		Basic load rating		Weight (gf)	Dimensions (mm)													
Designation	Liner	Dynamic C	Static Co		Shaft		Nominal Dimensions (mm)										SCE...LUU	
	Bearing	N	N		Diameter	h	D	W	H	G	A	J	E	S1xI	S2	KI	LI	
SCE 8 LUU	2xLME 8 UU	410	800	98	Φ8	11	17	34	22	18	6	24	5	M4x8	Φ3.4	42	58	
SCE 12 LUU	2xLME 12 UU	650	1,180	232	Φ12	15	22	44	30	24	8	33	5.5	M5x10	Φ4.3	64	77	
SCE 16 LUU	2xLME 16 UU	1230	2,340	360	Φ16	19	25	50	39	33	9	36	7	M5x12	Φ4.3	79	89	
SCE 20 LUU	2xLME 20 UU	1370	2,740	490	Φ20	21	27	54	41	35	11	40	7	M6x12	Φ5.2	90	106	
SCE 25 LUU	2xLME 25 UU	1560	3,120	1100	Φ25	26	38	76	52	41	12	54	11	M8x18	Φ7	119	136	
SCE 30 LUU	2xLME 30 UU	2490	5,480	1525	Φ30	30	39	78	60	49	15	58	10	M8x18	Φ7	132	154	
SCE 40 LUU	2xLME 40 UU	3440	8,020	3400	Φ40	40	51	102	78	62	20	80	11	M10x25	Φ8.7	150	180	
SCE 50 LUU	2xLME 50 UU	6110	15,860	5920	Φ50	52	61	122	102	80	25	100	11	M10x25	Φ8.7	200	230	