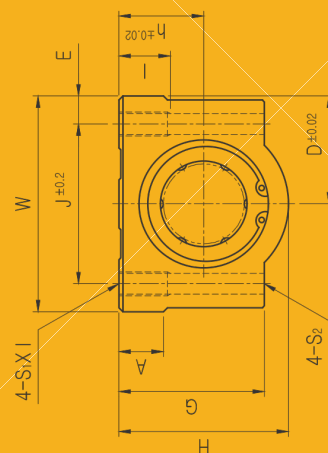
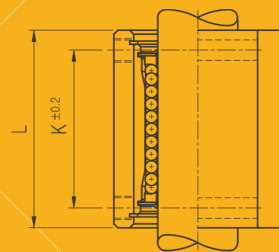


SERIES SCE...UU

بال پوشینگ



بلبرینگ عالی



www.1abc.ir

۰۲۱-۳۳۹۷۱۸۴۵



SERIES SCE...UU

بال بوشینگ

Standard type		Basic load rating		Weight (gf)	Dimensions (mm)													
Designation	Liner	Dynamic C	Static Co		Shaft	Nominal Dimensions (mm)											SCE...UU	
	Bearing	N	N		Diameter	h	D	W	H	G	A	J	E	S1xI	S2	K	L	
SCE 8 UU	LME 8 UU	260	400	80	Φ8	11	17	34	22	18	6	24	5	M4x8	Φ3.4	18	30	
SCE 12 UU	LME 12 UU	410	590	118	Φ12	15	22	44	30	24	8	33	5.5	M5x10	Φ4.3	21	35	
SCE 16 UU	LME 16 UU	770	1,170	180	Φ16	19	25	50	39	33	9	36	7	M5x12	Φ4.3	26	36	
SCE 20 UU	LME 20 UU	860	1,370	245	Φ20	21	27	54	41	35	11	40	7	M6x12	Φ5.2	26	39	
SCE 25 UU	LME 25 UU	980	1,560	550	Φ25	26	38	76	52	41	12	54	11	M8x18	Φ7	34	44	
SCE 30 UU	LME 30 UU	1560	2,740	760	Φ30	30	39	78	60	49	15	58	10	M8x18	Φ7	40	50	
SCE 40 UU	LME 40 UU	2150	4,010	1700	Φ40	40	51	102	78	62	20	80	11	M10x25	Φ8.7	50	67	
SCE 50 UU	LME 50 UU	3820	7,930	2950	Φ50	52	61	122	102	80	25	100	11	M10x25	Φ8.7	58	72	