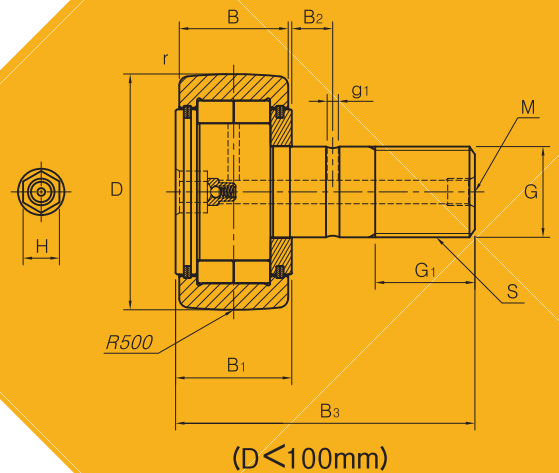
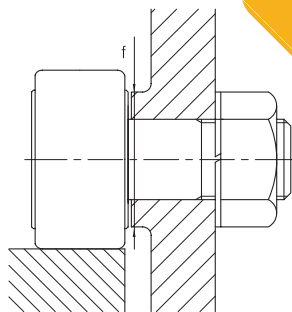
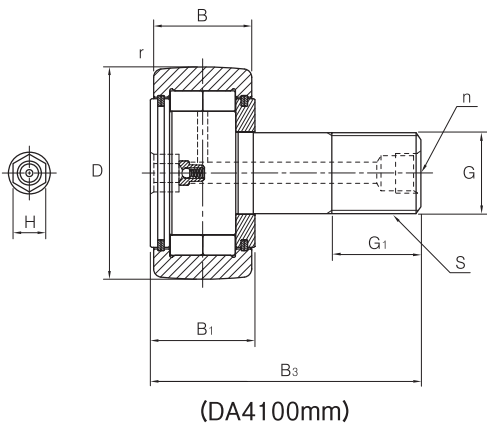


NUKR

غلٹک شیار - نوع میخی

بلبرینگ عالی



www.1abc.ir

۰۲۱-۳۳۹۷۱۸۴۵



| (Stud diameter) G mm | (Bearing No.) | | (Mass) gr. | (Dimensions) mm | | | | | |
|----------------------------|----------------------|--------------------------|---------------|-----------------|-----|------------------|----|----------------|----------------|
| | (Crowned outer ring) | (Cylindrical outer ring) | | H | D | (Thread sizes) S | B | B ₁ | B ₃ |
| 16 | NUKR 35R | NUKR 35SL | 177 | 6 | 35 | M16×1.5 | 18 | 19.5 | 52 |
| 18 | NUKR 40R | NUKR 40SL | 258 | 10 | 40 | M18×1.5 | 20 | 21.5 | 58 |
| 20 | NUKR 47R | NUKR 47SL | 400 | 10 | 47 | M20×1.5 | 24 | 25.5 | 66 |
| 20 | NUKR 52R | NUKR 52SL | 470 | 10 | 52 | M20×1.5 | 24 | 25.5 | 66 |
| 24 | NUKR 62R | NUKR 62SL | 824 | 12 | 62 | M24×1.5 | 29 | 30.5 | 80 |
| 24 | NUKR 72R | NUKR 72SL | 1,050 | 12 | 72 | M24×1.5 | 29 | 30.5 | 80 |
| 30 | NUKR 80R | NUKR 80SL | 1,670 | 12 | 80 | M30×1.5 | 35 | 37 | 100 |
| 30 | NUKR 90R | NUKR 90SL | 2,020 | 12 | 90 | M30×1.5 | 35 | 37 | 100 |
| 36 | NUKR 100R | NUKR 100SL | 3,080 | 14 | 100 | M36×1.5 | 43 | 46 | 120 |
| 42 | NUKR 120R | NUKR 120SL | 5,170 | 14 | 120 | M42×1.5 | 50 | 53 | 140 |
| 48 | NUKR 140R | NUKR 140SL | 7,980 | 14 | 140 | M48×1.5 | 57 | 60 | 160 |
| 52 | NUKR 150R | NUKR 150SL | 9,700 | 17 | 150 | M52×1.5 | 60 | 63 | 170 |
| 56 | NUKR 160R | NUKR 160SL | 11,700 | 17 | 160 | M56×3 | 63 | 67 | 180 |
| 60 | NUKR 170R | NUKR 170SL | 13,900 | 17 | 170 | M60×3 | 66 | 70 | 190 |
| 64 | NUKR 180R | NUKR 180SL | 17,000 | 17 | 180 | M64×3 | 72 | 76 | 200 |

| (Dimensions) mm | | | | | | f (Minimum Clamping Diameter) mm | (Basic dynamic load ratings) C Kgf | (Basic static load ratings) C ₀ Kgf | (Limiting speed) rpm |
|-----------------|-------|----------------|----------------|----------------|-----|---|---|--|-------------------------|
| M | n | g ₁ | G ₁ | B ₂ | r | | | | |
| M6×1.0 | - | 3 | 17 | 8 | 0.6 | 21 | 1,380 | 1,540 | 6,500 |
| M6×1.0 | - | 3 | 19 | 8 | 1.0 | 23 | 1,690 | 2,080 | 5,500 |
| M6×1.0 | - | 4 | 21 | 9 | 1.0 | 27 | 2,570 | 3,210 | 4,200 |
| M6×1.0 | - | 4 | 21 | 9 | 1.0 | 31 | 2,660 | 3,440 | 3,400 |
| M6×1.0 | - | 4 | 25 | 11 | 1.0 | 38 | 3,670 | 4,590 | 2,600 |
| M6×1.0 | - | 4 | 25 | 11 | 1.1 | 44 | 4,090 | 5,510 | 2,100 |
| M6×1.0 | - | 4 | 32 | 15 | 1.1 | 47 | 6,330 | 9,000 | 1,800 |
| M6×1.0 | - | 4 | 32 | 15 | 1.1 | 47 | 7,250 | 10,740 | 1,800 |
| - | PT1/8 | - | 38 | - | - | 53 | 7,800 | 11,000 | 1,800 |
| - | PT1/8 | - | 44 | - | - | 66 | 11,400 | 17,600 | 1,530 |
| - | PT1/8 | - | 52 | - | - | 72.5 | 13,300 | 19,500 | 1,350 |
| - | PT1/8 | - | 52 | - | - | 85.5 | 17,000 | 25,300 | 1,170 |
| - | PT1/8 | - | 58 | - | - | 89.5 | 18,100 | 26,600 | 1,080 |
| - | PT1/8 | - | 58 | - | - | 96.5 | 21,100 | 31,500 | 990 |
| - | PT1/8 | - | 65 | - | - | 103.5 | 24,300 | 36,700 | 900 |

After assembly and oil lubrication, a hexagonal resin plug should be necessarily stopped up.