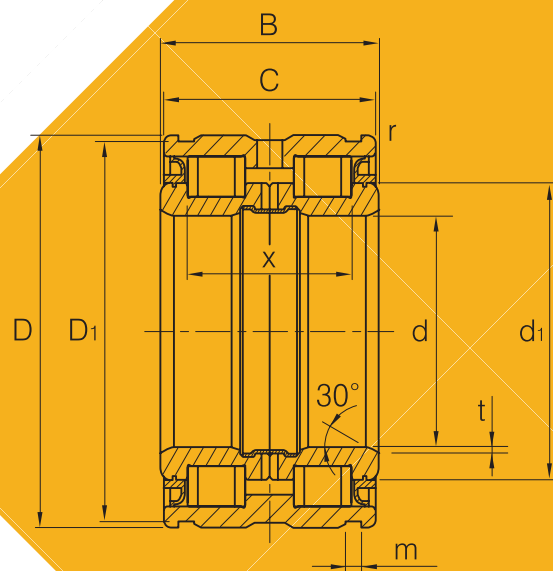


# SL04

غلٹک شیار

بلبرینگ عالی



SL04..UU



[www.1abc.ir](http://www.1abc.ir)

۰۲۱-۳۳۹۷۱۸۴۵



(Bearing No.)	m Kg	(Dimensions) mm										(Basic dynamic load ratings) C Kgf	(Basic static load ratings) C <sub>0</sub> Kgf	(Track capacity) P <sub>u</sub> Kgf	r/min
		d	D	B	C	D <sub>1</sub> +0.2	m	r	t	x	d <sub>1</sub>				
SL04 5004UU	0.2	20	42	30	29	40.2	1.8	0.3	0.5	22.5	30.55	3,900	4,700	400	3,800
SL04 5005UU	0.24	25	47	30	29	45.2	1.8	0.3	0.5	22.5	35.35	4,300	5,600	500	3,400
SL04 5006UU	0.37	30	55	34	33	53	2.1	0.3	0.5	25.5	40.6	4,800	6,400	600	2,800
SL04 5007UU	0.48	35	62	36	35	60	2.1	0.3	0.5	27.5	46.1	6,100	8,500	800	2,400
SL04 5008UU	0.56	40	68	38	37	65.8	2.7	0.6	0.8	28.5	51.4	7,300	9,900	900	2,200
SL04 5009UU	0.7	45	75	40	39	72.8	2.7	0.6	0.8	30.5	57	8,900	12,600	1,200	2,000
SL04 5010UU	0.76	50	80	40	39	77.8	2.7	0.6	0.8	30.5	61.8	9,400	13,700	1,300	1,900
SL04 5011UU	1.18	55	90	46	45	87.4	3.2	0.6	1	36	68.6	11,100	16,900	1,600	1,700
SL04 5012UU	1.26	60	95	46	45	92.4	3.2	0.6	1	36	73.7	11,600	18,300	1,700	1,600
SL04 5013UU	1.33	65	100	46	45	97.4	3.2	0.6	1	36	78.8	12,100	19,600	1,900	1,500
SL04 5014UU	1.87	70	110	54	53	107.1	4.2	0.6	1	42	84.5	16,200	25,600	2,400	1,300
SL04 5015UU	1.96	75	115	54	53	112.1	4.2	0.6	1	42	89.95	18,800	29,000	2,800	1,300
SL04 5016UU	2.71	80	125	60	59	122.1	4.2	0.6	1.5	48	97.1	19,600	31,500	3,000	1,200
SL04 5017UU	2.83	85	130	60	59	127.1	4.2	0.6	1.5	48	103.9	20,400	33,900	3,200	1,100
SL04 5018UU	3.71	90	140	67	66	137	4.2	0.6	1.5	54	109.3	29,500	49,400	4,700	1,000
SL04 5019UU	3.88	95	145	67	66	142	4.2	0.6	1.5	54	113.4	30,500	51,300	4,900	1,000
SL04 5020UU	3.95	100	150	67	66	147	4.2	0.6	1.5	54	117.4	31,900	53,300	5,100	900
SL04 5022UU	6.57	110	170	80	79	167	4.2	0.6	1.8	64	131.6	38,200	65,900	6,300	800
SL04 5024UU	7.04	120	180	80	79	176	4.2	0.6	1.8	64	140.9	39,700	71,700	6,900	800
SL04 5026UU	10.5	130	200	95	94	196	4.2	0.6	1.8	77	156.8	52,300	93,000	9,000	700
SL04 5028UU	11.1	140	210	95	94	206	5.2	0.6	1.8	77	165.4	59,100	106,600	10,300	700
SL04 5030UU	13.3	150	225	100	99	221	5.2	0.6	2	80	175.7	68,800	122,100	11,800	600
SL04 5032UU	16.6	160	240	109	108	236	5.2	0.6	2	89	189	71,700	131,800	12,700	600
SL04 5034UU	22.6	170	260	122	121	254	5.2	0.6	2	100	200.7	93,000	169,600	16,400	500
SL04 5036UU	30.1	180	280	136	135	274	5.2	0.6	2	112	217.8	110,500	206,400	20,000	500
SL04 5038UU	31.5	190	290	136	135	284	5.2	0.6	2	112	225.7	112,400	214,200	20,700	500
SL04 5040UU	40.8	200	310	150	149	304	6.3	0.6	2	126	243.1	130,800	252,000	24,400	400